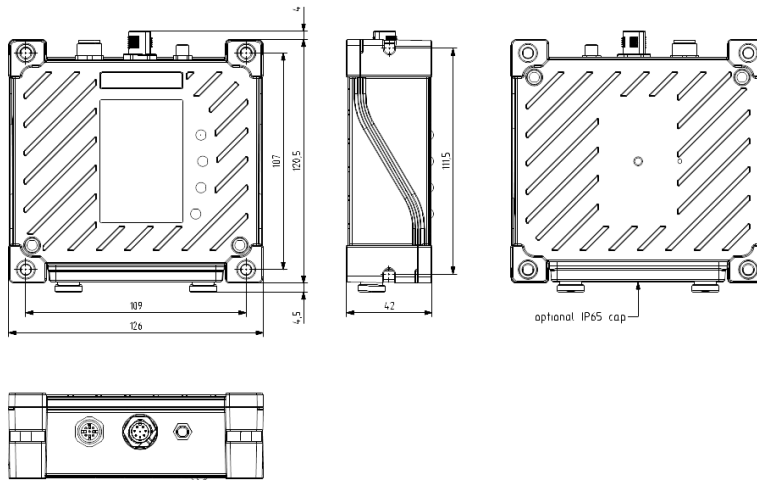


Datasheet

CANlogger® Series 5000



Mechanical Data	5001	5002	5102
Dimensions width / height / depth [mm]	126 / 129 / 42		
Degree of protection	IP 20 (with protection cap: IP 65)		
Temperature range	-30 °C ... +75 °C / -22 °F ... +167 °F		
Weight	510 g		
Electrical Data			
DC power supply	7 V ... 32 V		
Power input @ 24V (sleep mode)	50mA (< 60µA)		
Memory: Program / Configuration / Data	1 MB / 4 MB / 512 kB		
Real-time clock with backup capacitor	✓	✓	GPS-synchronized
Status LEDs (2-colors)	2	3	4
Interfaces / Protocols			
CAN (ISO 11898-2 High Speed, 2.0 A/B)	1	2	2
GPS (tracking capability, accuracy, update rate)	-	-	33, 3m, 1Hz
Logging memory interface	SD/SDHC card (up to 32 GB)		
RS232, Acceleration	On request (Rx/D/TxD / 3 axis, ±16 g, 13 Bit)		
CANopen®, Layer 2, J1939	✓		
Customized CAN protocols	On request		
Inputs / Outputs	-	1x D-IN (CL15), 1x A-IN 0 ... 10V (12 Bit) 1x D-OUT (500mA)	
Software			
RMtools Dashboard		✓	
RMtools Converter		✓	
PROEMION Tools CD		157 002 059	
Product number / Accessories			
CANlogger®	253 003 006	253 003 007	253 003 005
CAN cable M12 5-pin / 9-pin D-Sub + power		136 000 028	
CAN cable M12 8-pin / 9-pin D-Sub + power + open 5m		136 000 154	
GPS-antenna roof	-	-	157 000 020
SD memory card 2GB (industrial grade)		157 001 009	
Protection cap for SD connector (IP65)		140 400 021	
Insulation board mounting kit		141 000 015	
DIN rail mounting kit		141 000 010	
Starter Kit			
CANlogger® Starter Kit	253 000 116	253 000 117	253 000 111
Certifications			
CE, FCC, E1		✓	