

UG1410A



- 2 and 3-pole configurations
- Rugged version : 100.000 cycle mechanical life
- Locked/unlocked status indicator
- Lower behind-panel depth
- Sealed to IP65, IP67 and IP69K
- Complies with EN 60947-5-1

### ELECTRICAL SPECIFICATIONS

- Electrical function : push-pull ON-ON
- Current/voltage rating : 1A 24VDC DC-14
- Electrical life : 6.050 cycles
- Contact resistance : 10 mΩ max.
- Insulation resistance : 1.000 MΩ min. at 500VDC
- Dielectric strength : 1.000 Vrms 50 Hz min. between terminals  
2.000 Vrms 50 Hz min. between poles and between terminals and frame

### ENVIRONMENTAL SPECIFICATIONS

- Sealing : IP65, IP67 and IP69K according to IEC 60529 and DIN 40050
- Salt spray : 96 hours according to IEC 68-2-11
- Vibrations : 10-500 Hz - 10 g according to IEC 68-2-6
- Shock resistance : 50 g according to IEC 68-2-27
- Robustness (axial) : IK10
- Operating temperature : -40°C to +85°C
- According to EN 60947-5-1

### GENERAL SPECIFICATIONS

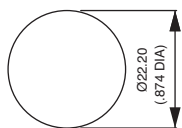
- Panel thickness : 6 mm (.236) max.
- Low level or mechanical life :  
100.000 cycles
- Travel to lock : 2,20 mm ± 0,3 mm
- Total travel : 4,20 mm ± 0,3 mm
- Torque : 5 Nm min. - 14 Nm max.  
applied to nut
- Operating force :  
2 pole models : Push : 30N ± 7N  
pull : 25N ± 5N  
3 pole models : Push : 45N ± 7N  
pull : 25N ± 5N

### MATERIALS

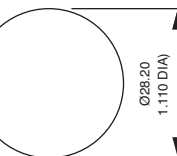
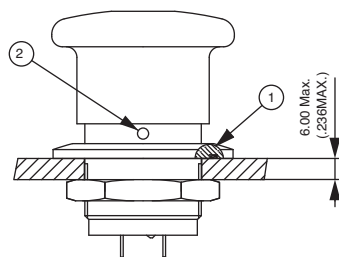
- Case : diallylphthalate (DAP)
- Actuator : aluminium, red anodised
- Bushing : aluminium, yellow anodised
- Contacts : silver, gold plated
- Terminal seal : epoxy

### PANEL CUT-OUT

- ① O-ring
- ② Hole



2 pole



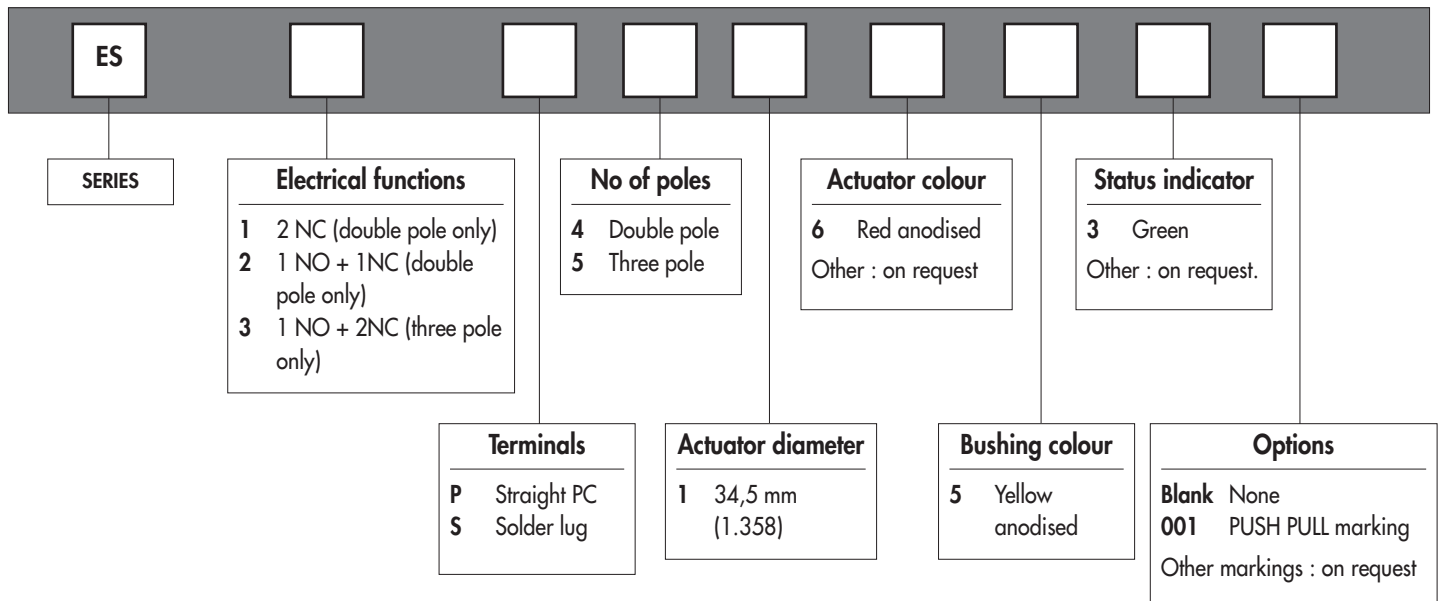
3 pole

Note : the hole in the bushing is designed for insertion of a Ø 2 mm metal rod helping to fasten the switch on the panel.

# ES series

## Heavy-duty emergency stop

### Overview



**Dimensions** : first dimensions are in mm while inches are shown as bracketed numbers.



**NOTICE** : please note that not all combinations of above numbers are available. Refer to the following pages for further information.



**Mounting accessories** : Standard hardware supplied : 1 hex nut 25 (.984) or 32 (1.260) across flats and 1 O-ring

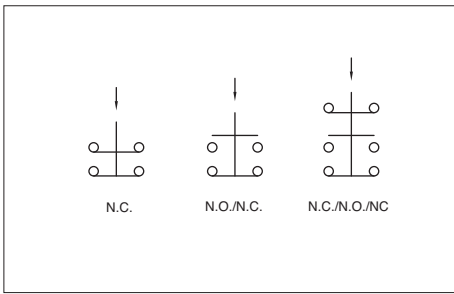


**Packaging unit** : 10 pieces

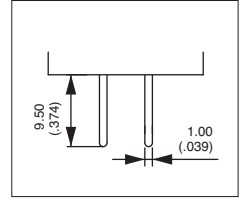
# ES series

## Heavy-duty emergency stop

Panel cut-out  $\varnothing 22 (.866)$  or  $\varnothing 28 (1.102)$



Straight PC terminal



MODEL  
STRUCTURE



Shown with solder lug terminals

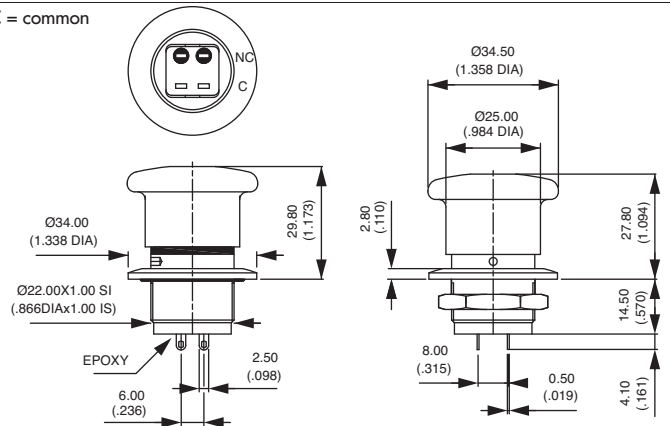
### Double pole - 2 N.C. contacts



Solder lug terminals  
**ES1S41653**

Straight PC terminals  
**ES1P41653**

C = common



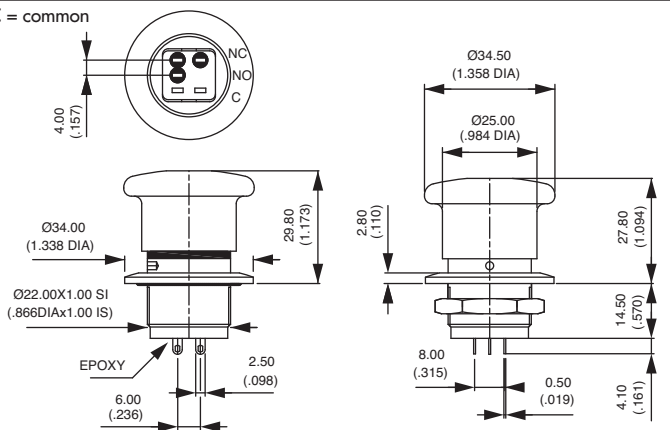
### Double pole - 1 N.O. and 1 N.C. contacts



Solder lug terminals  
**ES2S41653**

Straight PC terminals  
**ES2P41653**

C = common



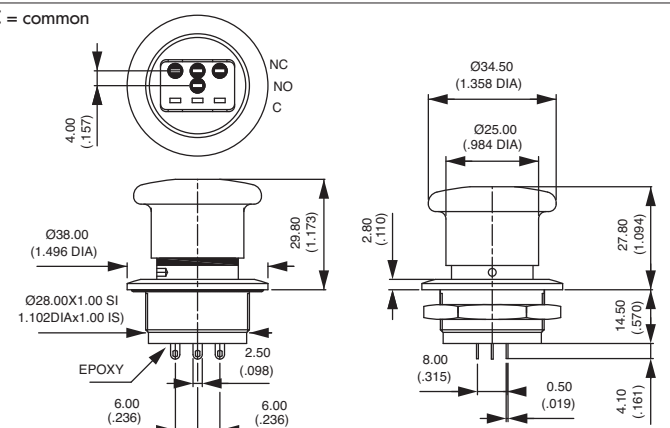
### Three pole - 1 N.O. and 2 N.C. contacts



Solder lug terminals  
**ES3S51653**

Straight PC terminals  
**ES3P51653**

C = common

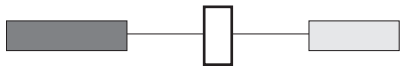


# ES series

## Heavy-duty emergency stop

### Options

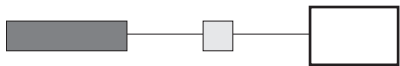
#### STATUS INDICATOR COLOUR



**3** Green

Other : on request.

#### OPTIONS



**Blank** None  
**001** PUSH PULL marking

Other markings : on request